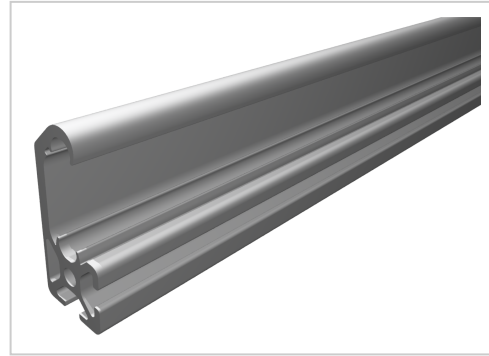


C-Rail, Rail Profile 5, natural

Product number PI-1475 SZ

Weight 0.71kg



Product description

C-Rail Rail Profile serves as a guide profile for the assembly of C-Rail Units-5
Cut to size max. 6000 mm

Product properties

Material	Al Mg Si 0.5 F25, artificially aged
Anodised	E6EV1 10-15 µm silver
Tolerances	EN 12020-2
Part type	C-rail systems
Nutauszugskraft	F=500 N
Profile length	Cut length
Delivery unit	Cuts
Contour	Rectangular
Series	Series 5
Colour	natural
Diameter mm	Ø 6

More images

