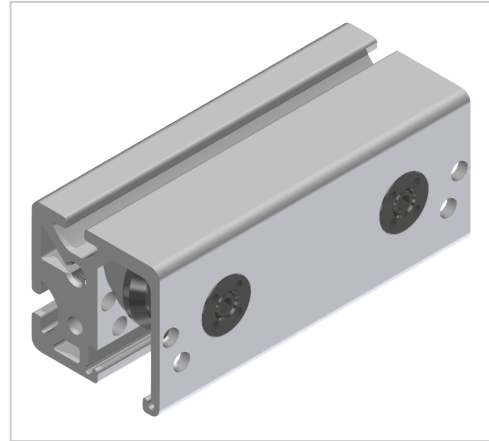


# Double-Bearing Unit 8 D14 e

**Product number** ZI-1650

**Weight** 0.885kg



## Product description

Linear slides are built with storage units. They are used in pairs, 1 each eccentric (this is set free of play) and opposite 1 centric. In order to minimize wear, a wiper lubrication system must be installed on every bearing unit.

## Product properties

**Compatible with** item

**Part type** Roller guides

**Series** Series 8

**Diameter mm** Ø 14

## More images

