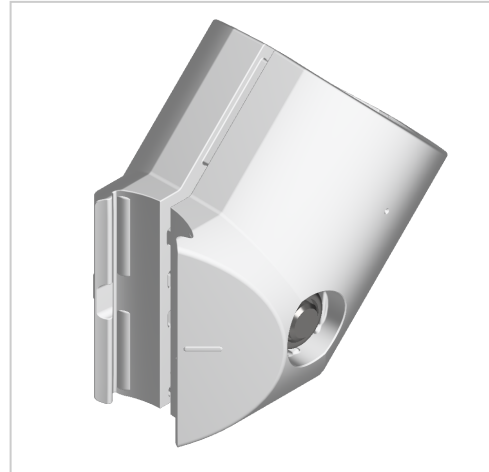


Fastener D30-45°

Product number ZL-1919

Weight 0.105kg



Product description

For 45° connection of two round tube profiles with outer diameter Ø 30

Product properties

Compatible with	item
Series	i- LPS Lean Production
Connector type	D-30 Connector
Part type	Connector
Colour	Alu natural
Material	GD-Al, natur
Lean system type	D30 Aluminium i kit system

More images

