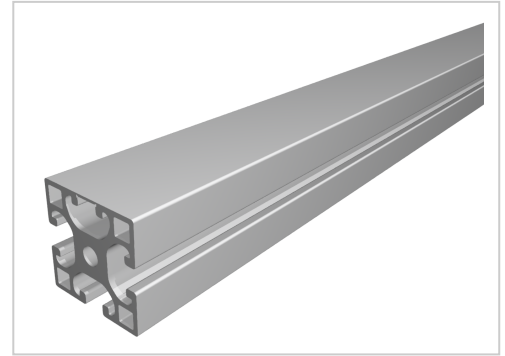


Profile X 8 40x40 1N light, natural

Entdecken Sie das Profil X 8 40x40 1NO leicht, natur – ein vielseitiges, natur eloxiertes Aluminiumprofil mit 3 offenen und 1 geschlossenen Nut für stabile und flexible Konstruktionen im Maschinen- und Anlagenbau.

Product number PI-6011 SZ

Weight 1.802kg



Product description

The profiles of the Z8 series are weight-optimised profiles in cross-sections of 40x40, 40x80 and 80x80. The profile grooves are freely accessible or hidden under a flush smooth outer surface. If necessary, the cover can be easily opened and removed for the shoring of connecting elements or for the attachment of accessories. The sharp-edged geometry of the profile outer edge results in a level transition in the profile joint. The grooves and the core holes of the Z8 profiles are designed for M8 screws.

Cut to size max. 6000 mm

Product properties

Material	Al Mg Si 0.5 F25, artificially aged
Anodised	E6EV1 10-15 µm silver
Tolerances	EN 12020-2
Compatible with	item
Nutauszugskraft	F=2.500 N
Breite Profil	40 mm
Höhe Profil	40 mm
Funktionsintegration	einfache Nutöffnung (NO)
Execution	X, light
Groove shape	1 side closed
Profile length	Cut length
Series	Series 8
Contour	Square
Delivery unit	Cuts
Size	40x40 mm
Colour	natural

More images

