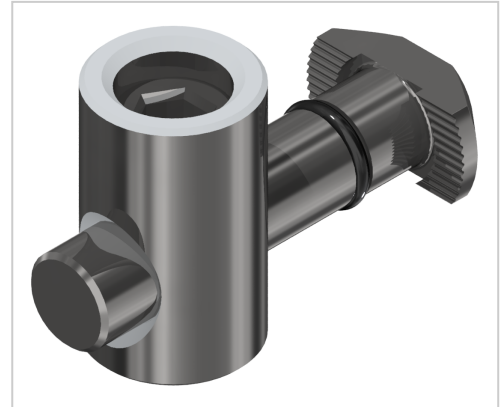


# Qick Connector 90°, bright zink-plated-10

**Product number** VB-3045

**Weight** 0.056kg



## Product description

Universal and force-fitting connection of all profiles in a series Can be subsequently slid in the groove. Can be swivelled into the groove  
Can be retrofitted into an existing construction. Machining only on one profile

## Product properties

<b>Profile processing</b>	1x hole
<b>Part type</b>	Connector
<b>suitable connector</b>	Matching connector B10 40, Matching connector B10 40 80, Matching connector B10 45, Matching connector B10 45 90, Matching connector B10 45 90x90, Matching connector B10 45 light, Matching connector B10 45 90 light
<b>Series</b>	Series 10
<b>Material</b>	Galvanized steel
<b>Connector type</b>	Fast connectors

More images

