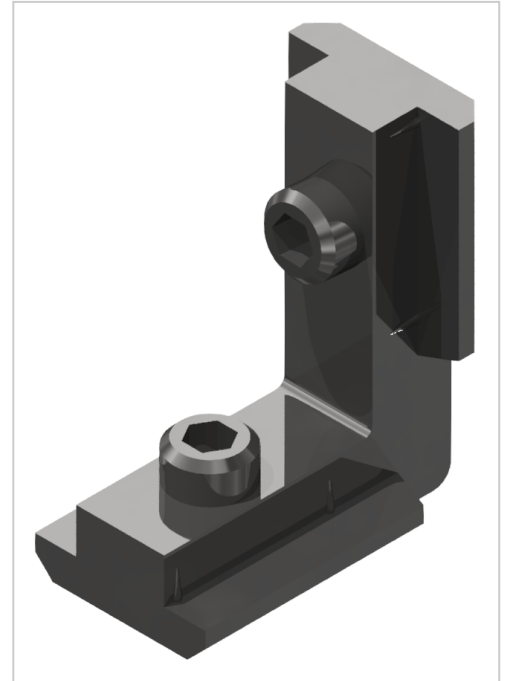


# Inner Connector Set R, bright zinc-plated-10

**Product number** VB-3095

**Weight** 0.045kg



## Product description

The inner connector is used for connecting two angle profiles in the 90 degrees. It is not required profile machining.

## Product properties

<b>Profile processing</b>	without profile machining
<b>Compatible with</b>	Bosch
<b>Part type</b>	Connector
<b>suitable connector</b>	Matching connector B10 40
<b>Connector type</b>	Inside connector
<b>Series</b>	Series 60-10, Series 45-10, Series 50-10, Series 40-10
<b>Material</b>	Galvanized steel

More images

