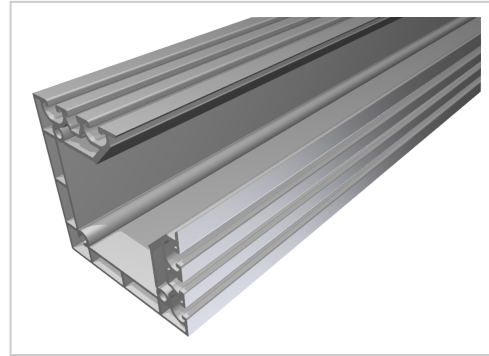


## Profile 8 120x120, natural

**Product number** PI-6180 SN6000  
**Weight** 74.562kg  
**Length** 6000mm



### Product description

Profiles 8 are suitable for a wide range of assemblies. The grooves and the core holes of the profiles 8 are designed for M8 screws.

Delivery length 6030 mm

### Product properties

|                             |                                     |
|-----------------------------|-------------------------------------|
| <b>Material</b>             | Al Mg Si 0.5 F25, artificially aged |
| <b>Anodised</b>             | E6EV1 10-15 µm silver               |
| <b>Tolerances</b>           | EN 12020-2                          |
| <b>Compatible with</b>      | item                                |
| <b>Nutauszugskraft</b>      | F=2.500 N                           |
| <b>Breite Profil</b>        | 120 mm                              |
| <b>Höhe Profil</b>          | 120 mm                              |
| <b>Funktionsintegration</b> | Kabelkanalöffnung                   |
| <b>Execution</b>            | XMS, heavy                          |
| <b>Delivery unit</b>        | Rods                                |
| <b>Series</b>               | Series 8                            |
| <b>Contour</b>              | Square                              |
| <b>Profile length</b>       | 6000 mm bar                         |
| <b>Colour</b>               | natural                             |
| <b>Groove shape</b>         | 2 sides closed 90°                  |
| <b>Size</b>                 | 120x120 mm                          |

More images

