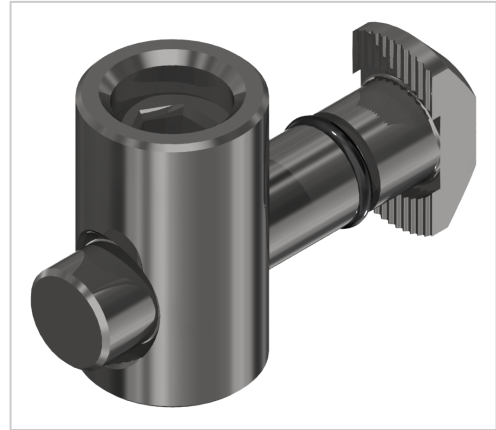


Qick Connector 0°, bright zink-plated-10

Product number VB-3050

Weight 0.056kg



Product description

Universal and force-fitting connection of all profiles in a series Can be subsequently slid in the groove. Can be swivelled into the groove
Can be retrofitted into an existing construction. Machining only on one profile

Product properties

Profile processing	1x hole
Compatible with	Bosch
Part type	Connector
suitable connector	Matching connector B10 40, Matching connector B10 40 80, Matching connector B10 45, Matching connector B10 45 90, Matching connector B10 45 90x90, Matching connector B10 45 light, Matching connector B10 45 90 light
Series	Series 60-10, Series 45-10, Series 50-10, Series 40-10
Material	Galvanized steel
Connector type	Fast connectors

