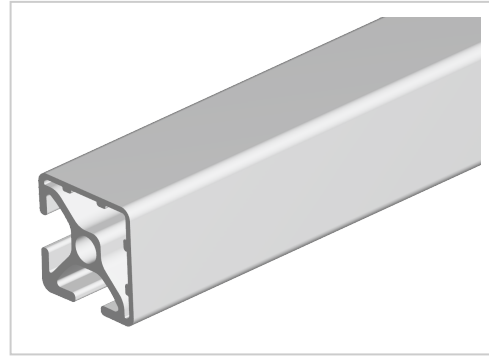


Profile 830 30x30 2N90, natural

Product number	PI-2050 SN6000
Weight	5.916kg
Length	6000mm



Product description

Profiles 8 30 with closed grooves are suitable for weight-optimised assemblies of all kinds. With the closed groove side, visually appealing and low-maintenance constructions can be realised. The grooves and core holes of Profiles 8 30 are designed for M8 screws.

Delivery length 6030 mm

Product properties

Material	Al Mg Si 0.5 F25, artificially aged
Anodised	E6EV1 10-15 µm silver
Tolerances	EN 12020-2
Compatible with	item
Nutauszugskraft	F=500 N
Breite Profil	30 mm
Höhe Profil	30 mm
Delivery unit	Rods
Profile length	6000 mm bar
Size	30x30 mm
Colour	natural
Series	Series 8 30
Execution	heavy
Groove shape	2 sides closed 90°

More images

