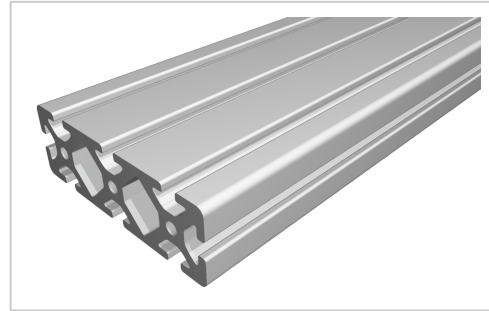


Profile 8 120x40, natural

Product number	PI-1050 SN6000
Weight	40.002kg
Length	6000mm



Product description

Profiles 8 are suitable for a wide range of assemblies. The grooves and the core holes of the profiles 8 are designed for M8 screws.

Delivery length 6030 mm

Product properties

Compatible with	item
Nutauszugskraft	F=5.000 N
Breite Profil	120 mm
Höhe Profil	40 mm
Groove shape	Open grooves
Size	120x40 mm
Delivery unit	Rods
Series	Series 8
Profile length	6000 mm bar
Contour	Rectangular
Colour	natural
Execution	heavy

More images

