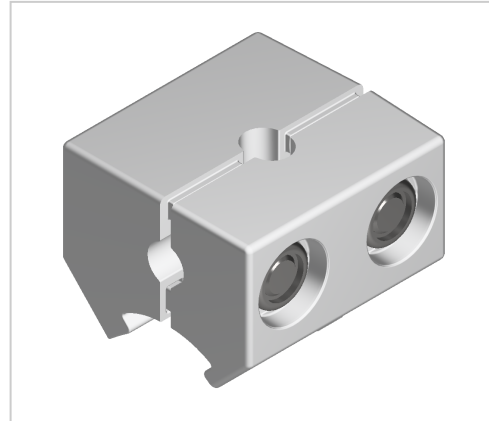


Multiblock D30

Product number ZL-1950

Weight 0.072kg



Product description

For attaching panel elements to frames made of round tubular profiles with an outer diameter of $\varnothing 30$.

Product properties

Compatible with	item
Series	i- LPS Lean Production
Colour	Alu natural
Part type	Multi block
Material	GD-Al, natur
Lean system type	D30 Aluminium i kit system

More images

