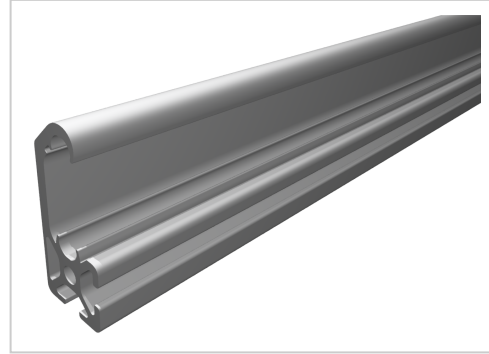


C-Rail, Rail Profile 5, natural

Product number PI-1475 SN6000
Weight 4.26kg
Length 6000mm



Product description

C-Rail Rail Profile serves as a guide profile for the assembly of C-Rail Units-8

Product properties

Material Al Mg Si 0.5 F25, artificially aged
Anodised E6EV1 10-15 µm silver
Tolerances EN 12020-2
Compatible with item
Part type C-rail systems
Nutauszugskraft F=500 N
Delivery unit Rods
Profile length 6000 mm bar
Contour Rectangular
Series Series 5
Colour natural
Diameter mm Ø 6

More images

