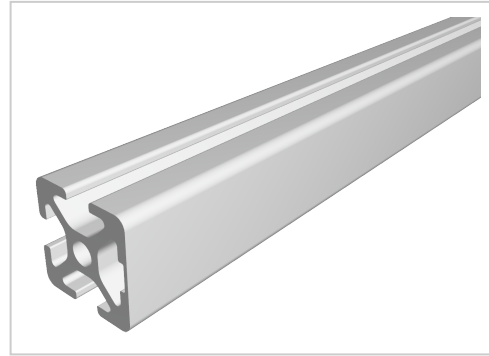


Profile 5 20x20 1N, natural

Product number PI-4032 SN6000
Weight 3.054kg
Length 6000mm



Product description

The compact design of Profiles 5 with closed grooves makes them particularly suitable for small and weight-optimised assemblies. With the closed groove side, visually appealing and low-maintenance constructions can be realised. The grooves and core holes of Profiles 5 are designed for M5 screws.

Delivery length 6030 mm

Product properties

Material Al Mg Si 0.5 F25, artificially aged
Anodised E6EV1 10-15 µm silver
Tolerances EN 12020-2
Compatible with item
Nutauszugskraft F=500 N
Groove shape 1 side closed
Delivery unit Rods
Contour Square
Profile length 6000 mm bar
Series Series 5
Size 20x20 mm
Colour natural
Execution heavy

More images

