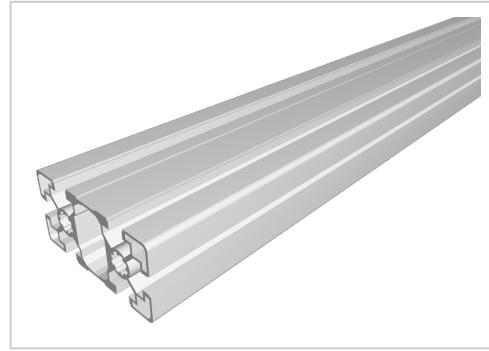


Profile 45x90 light-10

Product number PB-1245 SZ

Weight 3.069kg



Product description

The profiles in pitch 45 with groove 10 are suitable for assemblies of all kinds. Due to the different profile geometries, the material requirements can be adapted to the application. The grooves are designed for M8 screws.

Cut to size max. 6000 mm

Compatible with Bosch 3 842 992 432

Product properties

Material	Al Mg Si 0.5 F25, artificially aged
Anodised	E6EV1 10-15 µm silver
Tolerances	EN 12020-2
Compatible with	Bosch
Nutauszugskraft	F=7.000 N
Breite Profil	90 mm
Höhe Profil	45 mm
Groove shape	Open grooves
Series	Series 45-10
Profile length	Cut length
Delivery unit	Cuts
Execution	light
Contour	Rectangular
Size	45x90 mm
Modular dimension	Modular dimension 45

More images

