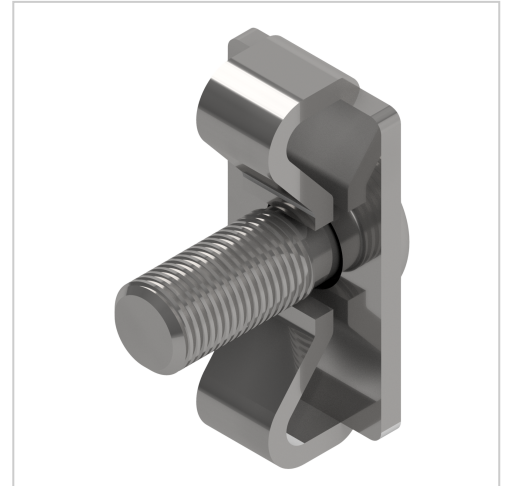


Standard-Fastening Set 8, bright zinc-plated

Product number VI-1022
Weight 0.023kg



Product description

Force-fitting, high-strength, twist-proof connection of all profiles in a series. For profiles that are not moved

Product properties

Linear sliding	no
Axially rotatable	no
Angle freely selectable	no
Profile processing	1x hole + 1x thread
Displacement force	very good
Torsional moment	good
Bending moment	good
Can be retrofitted to existing construction	no
Compatible with	item
Part type	Connector
Series	Series 8
Connector type	Standard-fastener
suitable connector	suitable connector 8
Colour	galvanized
Material	Galvanized steel

More images

