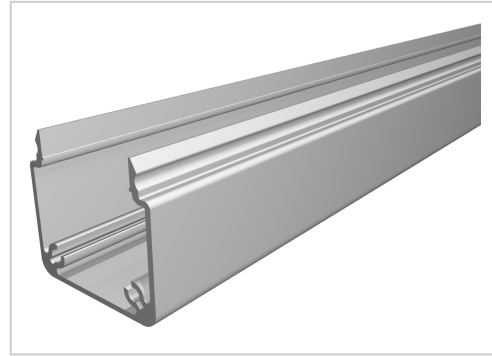


Conduit Profile U 40x40 SE, natural

Product number PI-5010 SN6000
Weight 3.66kg
Length 6000mm



Product description

Trunking profiles and cover profiles are used to create various installation trunkings or cable runs. Our aluminium trunking has a very high level of stability and offers a visually sophisticated design.

Product properties

Material Al Mg Si 0.5 F25, artificially aged
Anodised E6EV1 10-15 µm silver
Tolerances EN 12020-2
Compatible with item
Part type Cable ducts
Delivery unit Rods
Series Series 8, Conduits
Profile length 6000 mm bar
Colour natural

More images

