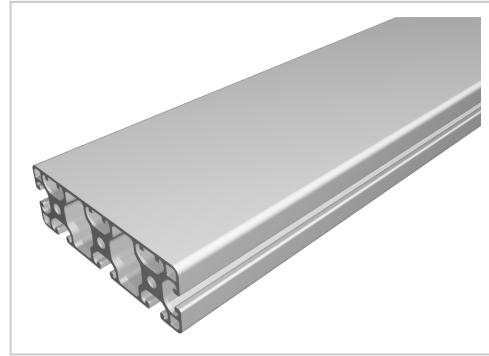


Profile 8 120x40 3N light, natural

Product number PI-1560 SZ

Weight 4.48kg



Product description

The profiles 8 light with closed grooves are suitable for assemblies of all kinds. With the closed groove side, visually appealing and low-maintenance constructions can be realised. The grooves and core holes of Profiles 8 are designed for M8 screws.

Cut to size max. 6000 mm

Compatible with item 0.0.675.52

Product properties

Material	Al Mg Si 0.5 F25, artificially aged
Anodised	E6EV1 10-15 µm silver
Tolerances	EN 12020-2
Compatible with	item
Nutauszugskraft	F=2.500 N
Breite Profil	120 mm
Höhe Profil	40 mm
Groove shape	1 side closed
Size	120x40 mm
Profile length	Cut length
Series	Series 8
Delivery unit	Cuts
Execution	light
Contour	Rectangular
Colour	natural

More images

