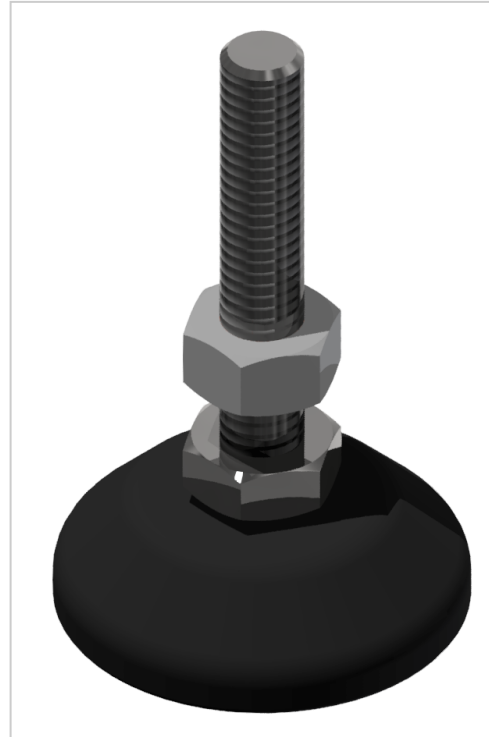


Knuckle Foot D30, M6x45, black

Product number ZI-1365

Weight 0.017kg



Product description

Adjustable feet are used for stepless height and level adjustment of assemblies and racks of any kind. The inclination of the plate is variable. A rubber insert can be fitted as an option.

Product properties

Compatible with	item
Part type	levelling feet
Series	Series 6
Colour	black
Adjustable foot type	PA
Load capacity	95 kg
Material	PA-GF
Base for swivel feet Ø	30 mm
Total height	45 mm
Thread	M6

More images

