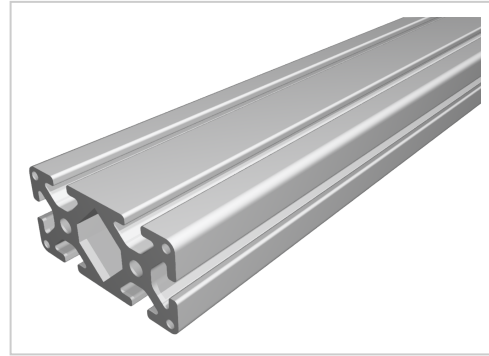


Profile 10 100x50, natural

Product number PI-7050 SZ

Weight 6.67kg



Product description

Profiles 10 are suitable for a wide range of assemblies. The grooves and the core holes of the profiles 10 are designed for M10 screws.

Cut to size max. 6000 mm

Product properties

Material	Al Mg Si 0.5 F25, artificially aged
Anodised	E6EV1 10-15 µm silver
Tolerances	EN 12020-2
Breite Profil	100 mm
Höhe Profil	50 mm
Groove shape	Open grooves
Size	50x100 mm
Profile length	Cut length
Delivery unit	Cuts
Series	Series 10
Contour	Rectangular
Colour	natural
Execution	heavy

More images

