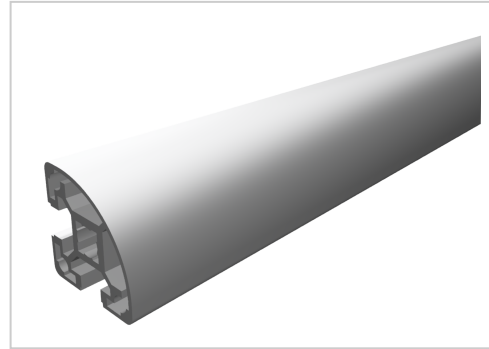


Profile 40x40 R light natural-10

Product number PB-1160 SZ

Weight 1.28kg



Product description

The profiles in pitch 45 with groove 10 are suitable for assemblies of all kinds. Due to the different profile geometries, the material requirements can be adapted to the application. The grooves are designed for M8 screws.

Cut to size max. 6000 mm

Compatible with Bosch 3 842 993 184

Product properties

Material	Al Mg Si 0.5 F25, artificially aged
Anodised	E6EV1 10-15 µm silver
Tolerances	EN 12020-2
Compatible with	Bosch
Nutauszugskraft	F=7.000 N
Breite Profil	40 mm
Höhe Profil	40 mm
Profile length	Cut length
Modular dimension	Modular dimension 40
Delivery unit	Cuts
Execution	light
Size	40x40 mm
Contour	Round
Series	Series 40-10
Colour	natural

More images

