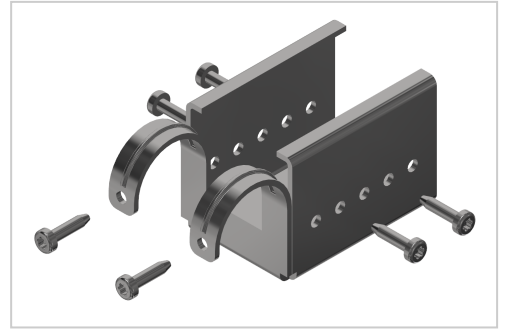


Holding Bracket round outside Set Alu-D28

Product number ZL-1172

Weight 0.119kg



Product description

The bridge between two roller conveyors when the gradient changes.
The connection remains adjustable should the gradient be
be adjusted at a later date.

Product properties

Compatible with Bosch
Series B- LPS Lean Production
Part type Roller conveyor holder
Lean system type D28 steel kit system, D28 Aluminium B kit system
Colour galvanized

More images

