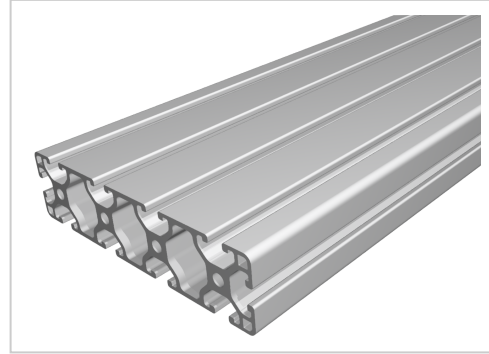


## Profile 6 120x30 light, natural

**Product number** PI-3080 SZ

**Weight** 2.855kg



### Product description

Profiles 6 are particularly suitable for weight-optimised assemblies. The grooves and the core holes of profiles 6 are designed for M6 screws.

Cut to size max. 6000 mm

### Product properties

<b>Material</b>	Al Mg Si 0.5 F25, artificially aged
<b>Anodised</b>	E6EV1 10-15 µm silver
<b>Tolerances</b>	EN 12020-2
<b>Compatible with</b>	item
<b>Nutauszugskraft</b>	F=500 N
<b>Breite Profil</b>	120 mm
<b>Höhe Profil</b>	30 mm
<b>Series</b>	Series 6
<b>Groove shape</b>	Open grooves
<b>Profile length</b>	Cut length
<b>Delivery unit</b>	Cuts
<b>Execution</b>	light
<b>Size</b>	120x30 mm
<b>Colour</b>	natural

## More images

