

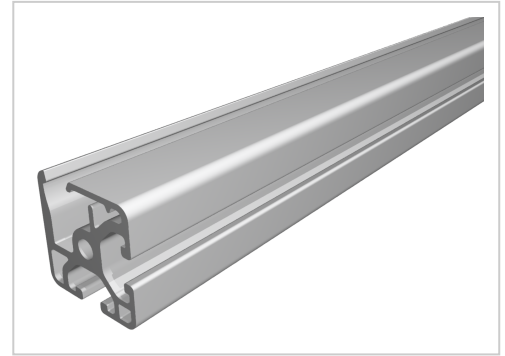
Clamp Profile 6 30x30 E, natural

Klemmprofil 6 30x30 E aus Aluminium – die schnelle Lösung zur sicheren Befestigung von Platten und Füllungen. Ideal für Rahmen, Verkleidungen und Maschinenbau.

Product number PI-3135 SN6000

Weight 5.346kg

Length 6000mm



Product description

Profiles 6 light are particularly suitable for weight-optimised assemblies. The grooves and the core holes of the profiles 6 are designed for M6 screws.

Delivery length 6030 mm

Product properties

Material	Al Mg Si 0.5 F25, artificially aged
Anodised	E6EV1 10-15 µm silver
Tolerances	EN 12020-2
Breite Profil	30 mm
Höhe Profil	30 mm
Funktionsintegration	Flächenbefestigung
Series	Series 6
Delivery unit	Rods
Contour	Square
Groove shape	Clamp Profile
Profile length	6000 mm bar
Size	30x30 mm
Colour	natural
Execution	economy

More images

