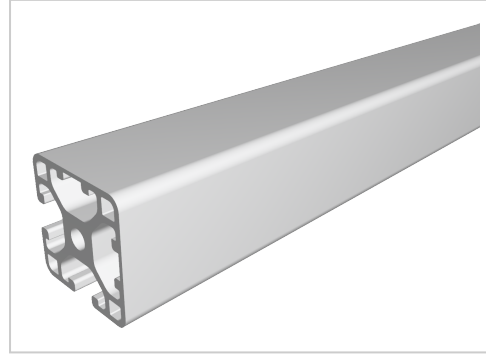


Profile 6 30x30 2N90 light, natural

Product number PI-3120 SZ

Weight 0.96kg



Product description

The profiles 6 light with closed grooves are suitable for weight-optimised assemblies of all kinds. With the closed groove side, visually appealing and low-maintenance constructions can be realised. The grooves and the core holes of the profiles 6 are designed for M6 screws.

Cut to size max. 6000 mm

Product properties

Material	Al Mg Si 0.5 F25, artificially aged
Anodised	E6EV1 10-15 µm silver
Tolerances	EN 12020-2
Compatible with	item
Nutauszugskraft	F=500 N
Breite Profil	30 mm
Höhe Profil	30 mm
Series	Series 6
Profile length	Cut length
Contour	Square
Delivery unit	Cuts
Execution	light
Size	30x30 mm
Colour	natural
Groove shape	2 sides closed 90°

More images

