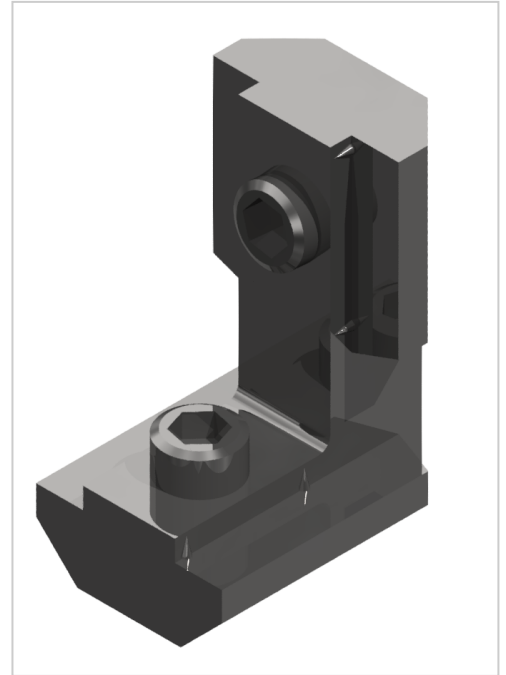


Inner Connector R Set, bright zinc-plated-8

Product number VB-2060

Weight 0.024kg



Product description

The inner connector is used for connecting two angle profiles in the 90 degrees. It is not required profile machining.

Product properties

Profile processing without profile machining

Compatible with Bosch

Part type Connector

Connector type Inside connector

Series Series 30 8

More images

