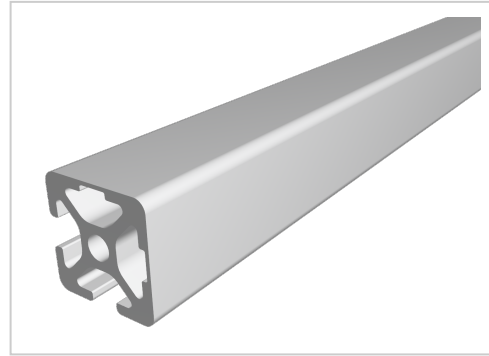


Profile 5 20x20 2N90, natural

Product number	PI-4036 SN3000
Weight	1.458kg
Length	3000mm



Product description

The compact design of Profiles 5 with closed grooves makes them particularly suitable for small and weight-optimised assemblies. With the closed groove side, visually appealing and low-maintenance constructions can be realised. The grooves and core holes of Profiles 5 are designed for M5 screws.

Delivery length 3000 mm

Product properties

Material	Al Mg Si 0.5 F25, artificially aged
Anodised	E6EV1 10-15 µm silver
Tolerances	EN 12020-2
Compatible with	item
Nutauszugskraft	F=500 N
Breite Profil	20 mm
Höhe Profil	20 mm
Delivery unit	Rods
Contour	Square
Series	Series 5
Size	20x20 mm
Profile length	3000 mm bar
Colour	natural
Execution	heavy
Groove shape	2 sides closed 90°

More images

