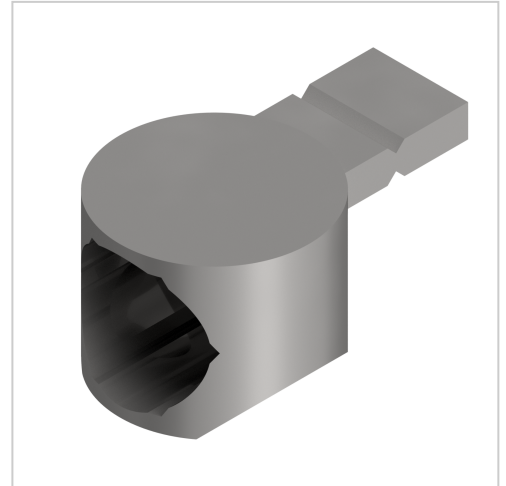


Universal Fastener 830, bright zinc-plated

Product number VI-2015

Weight 0.008kg



Product description

Universal and friction-locked connection of all profiles in a series Can be subsequently slid in the groove. Can be retrofitted into an existing construction. Machining only on one profile

Product properties

Linear sliding	yes
Axially rotatable	no
Angle freely selectable	no
Profile processing	1x stepped bore
Displacement force	very good
Torsional moment	very good
Bending moment	very good
Can be retrofitted to existing construction	yes
Part type	Connector
Material	GD-Zn
suitable connector	suitable connector 8-30
Colour	galvanized
Series	Series 8 30
Connector type	Universal fasteners

More images

