

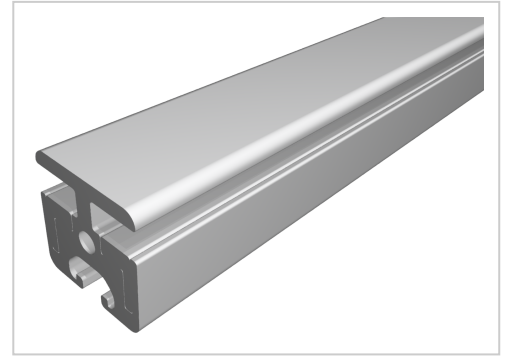
Clamp Profile 8 40x40-180°, natural

Klemmprofil 8 40x40 – 180° natur – für die beidseitige, flächenbündige Montage von Verkleidungen und Platten. Ideal für Maschinenverkleidungen und Sichtschutzsysteme.

Product number PI-1410 SN6000

Weight 15.36kg

Length 6000mm



Product description

Profiles 8 are suitable for assemblies of all kinds. Due to the different profile geometries, the material requirements can be adapted to the application. The grooves and the core holes of the profiles 8 are designed for M8 screws. Clamping profiles are used to build large and stable protective panels. The panel elements are screwed together with cylinder head screws and clamping strips. The direct screwing of the panel element supports the stability of the panel. Panel size: clear inside dimension +30.0 mm

Delivery length 6030 mm

Product properties

Compatible with	item
Nutauszugskraft	F=5.000 N
Breite Profil	40 mm
Höhe Profil	40 mm
Funktionsintegration	Flächenbefestigung
Delivery unit	Rods
Series	Series 8
Groove shape	Clamp Profile
Profile length	6000 mm bar
Size	40x40 mm
Colour	natural
Execution	heavy

More images

