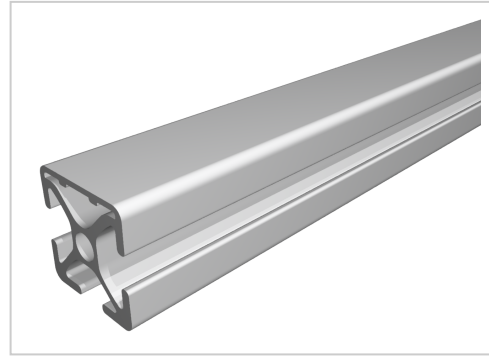


Profile 830 30x30 1N, natural

Product number PI-2040 SZ

Weight 0.942kg



Product description

Profiles 8-30 are particularly suitable for weight-optimised assemblies. The grooves and the core holes of profiles 8 are designed for M8 screws.

Cut to size max. 6000 mm

Product properties

Nutauszugskraft	F=500 N
Breite Profil	30 mm
Höhe Profil	30 mm
Groove shape	1 side closed
Profile length	Cut length
Delivery unit	Cuts
Size	30x30 mm
Colour	natural
Series	Series 8 30
Execution	heavy

More images

