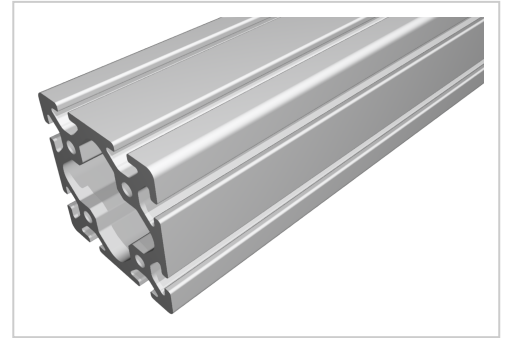


## Profile 10 100x100, natural

Profil 10 100x100 natur – massives Aluminiumprofil für tragende Konstruktionen, Maschinenunterbauten und industrielle Rahmenlösungen. Maximale Stabilität für Baureihe 10.

**Product number** PI-7060 SZ

**Weight** 10.671kg



### Product description

Profiles 10 are suitable for a wide range of assemblies. The grooves and the core holes of the profiles 10 are designed for M10 screws.

Cut to size max. 6000 mm

### Product properties

|                        |                                     |
|------------------------|-------------------------------------|
| <b>Material</b>        | Al Mg Si 0.5 F25, artificially aged |
| <b>Anodised</b>        | E6EV1 10-15 µm silver               |
| <b>Tolerances</b>      | EN 12020-2                          |
| <b>Nutauszugskraft</b> | F=7.000 N                           |
| <b>Breite Profil</b>   | 100 mm                              |
| <b>Höhe Profil</b>     | 100 mm                              |
| <b>Groove shape</b>    | Open grooves                        |
| <b>Profile length</b>  | Cut length                          |
| <b>Contour</b>         | Square                              |
| <b>Size</b>            | 100x100 mm                          |
| <b>Delivery unit</b>   | Cuts                                |
| <b>Series</b>          | Series 10                           |
| <b>Colour</b>          | natural                             |
| <b>Execution</b>       | heavy                               |

More images

