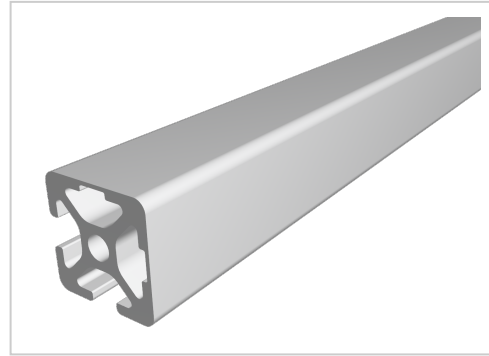


Profile 5 20x20 2N90, natural

Product number	PI-4036 SN6000
Weight	2.916kg
Length	6000mm



Product description

The compact design of Profiles 5 with closed grooves makes them particularly suitable for small and weight-optimised assemblies. With the closed groove side, visually appealing and low-maintenance constructions can be realised. The grooves and core holes of Profiles 5 are designed for M5 screws.

Delivery length 6030 mm

Product properties

Compatible with	item
Nutauszugskraft	F=500 N
Breite Profil	20 mm
Höhe Profil	20 mm
Delivery unit	Rods
Contour	Square
Profile length	6000 mm bar
Series	Series 5
Size	20x20 mm
Colour	natural
Execution	heavy
Groove shape	2 sides closed 90°

More images

