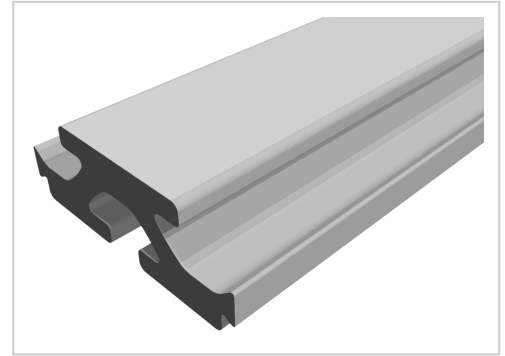


Bed Plate Connection Profile 8 55x20, natural

Plattenverbindungsprofil 8 55x20 natur – zur flächenbündigen Verbindung von Abdeckplatten oder Flächenelementen. Ideal für Verkleidungen und modulare Systeme.

Product number PI-1004 SN6000
Weight 9.24kg
Length 6000mm



Product description

Plate profiles 8 are used for the production of variably sized surfaces with grooves 8 in a 40. grid. The fastening can be done on profile racks of different types

Delivery length 6030 mm

Product properties

Material Al Mg Si 0.5 F25, artificially aged
Anodised E6EV1 10-15 µm silver
Tolerances EN 12020-2
Compatible with item
Nutauszugskraft F=5.000 N
Breite Profil 55 mm
Höhe Profil 20 mm
Groove shape Open grooves
Delivery unit Rods
Series Series 8
Profile length 6000 mm bar
Size 20x55 mm
Contour Rectangular
Colour natural
Execution heavy

More images

