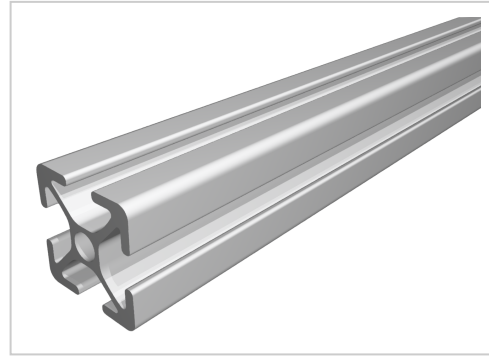


## Profile 830 30x30, natural

**Product number** PI-2010 SZ

**Weight** 0.898kg



### Product description

Profiles 8-30 are particularly suitable for weight-optimised assemblies. The grooves and the core holes of profiles 8 are designed for M8 screws.

Cut to size max. 6000 mm

### Product properties

<b>Compatible with</b>	item
<b>Nutauszugskraft</b>	F=500 N
<b>Breite Profil</b>	30 mm
<b>Höhe Profil</b>	30 mm
<b>Groove shape</b>	Open grooves
<b>Profile length</b>	Cut length
<b>Delivery unit</b>	Cuts
<b>Size</b>	30x30 mm
<b>Colour</b>	natural
<b>Series</b>	Series 8 30
<b>Execution</b>	heavy

More images

