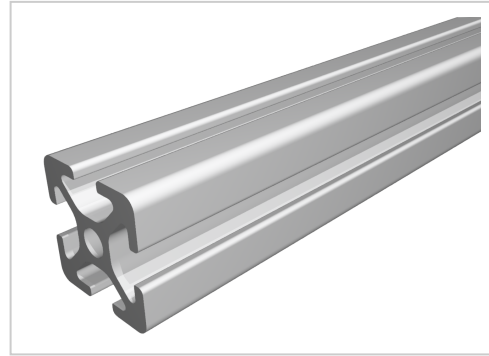


Profile 5 20x20, natural

Product number	PI-4030 SN6000
Weight	2.916kg
Length	6000mm



Product description

The compact design of Profiles 5 makes them particularly suitable for small and weight-optimised assemblies. The grooves and the core holes of the profiles 5 are designed for M5 screws.

Delivery length 6030 mm

Product properties

Material	Al Mg Si 0.5 F25, artificially aged
Anodised	E6EV1 10-15 µm silver
Tolerances	EN 12020-2
Compatible with	item
Nutauszugskraft	F=500 N
Breite Profil	20 mm
Höhe Profil	20 mm
Groove shape	Open grooves
Delivery unit	Rods
Contour	Square
Profile length	6000 mm bar
Series	Series 5
Size	20x20 mm
Colour	natural
Execution	heavy

More images

