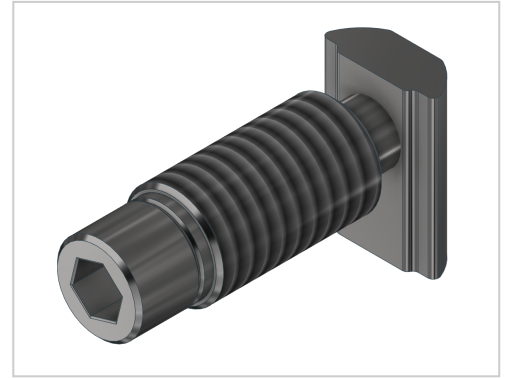


# T- Matic light Connector Set, bright zinc-plated-10

**Product number** VB-3035

**Weight** 0.037kg



## Product description

Extremely fast and flexible connection without machining mechanisms. Universal and positive connection of all profiles in a series retrospectively in the groove moved. possible in an existing design retrofitting. Connector mounting only one profile,

## Product properties

**Profile processing** without profile machining

**Compatible with** Bosch

**Part type** Connector

**suitable connector** Matching connector B10 45 light, Matching connector B10 45 90 light

**Series** Series 45-10

**Execution** light

**Material** Galvanized steel

**Connector type** T-matic connectors

More images

