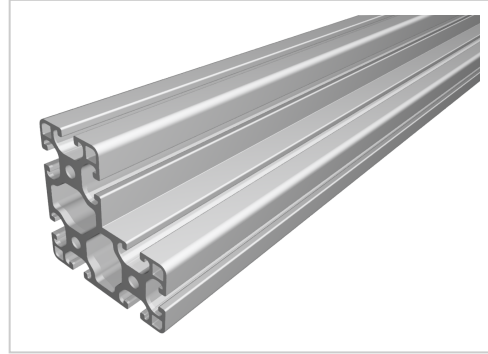


Profile 8 W80x80x40 light, natural

Product number PI-1650 SZ

Weight 4.8kg



Product description

Angle and flat profiles can be used in a variety of ways, e.g. for edging panel elements, as end or support strips, etc.
Cut to size max. 6000 mm

Product properties

Material	Al Mg Si 0.5 F25, artificially aged
Anodised	E6EV1 10-15 µm silver
Tolerances	EN 12020-2
Compatible with	item
Nutauszugskraft	F=2.500 N
Breite Profil	80 mm
Höhe Profil	80 mm
Groove shape	Open grooves
Contour	Angle
Profile length	Cut length
Series	Series 8
Size	80x80 mm
Delivery unit	Cuts
Execution	light
Colour	natural

More images

