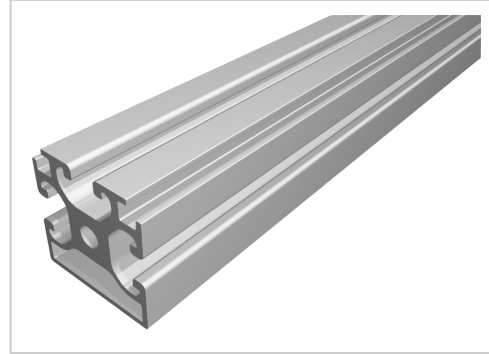


Profile 8 40x40, natural

Product number PI-6160 SZ

Weight 2.493kg



Product description

Profiles 8 are suitable for assemblies of all kinds. Due to the different profile geometries, the material requirements can be adapted to the application. The grooves and the core holes of the profiles 8 are designed for M8 screws.

Cut to size max. 6000 mm

Product properties

Material	Al Mg Si 0.5 F25, artificially aged
Anodised	E6EV1 10-15 µm silver
Tolerances	EN 12020-2
Nutauszugskraft	F=2.500 N
Breite Profil	40 mm
Höhe Profil	40 mm
Funktionsintegration	Türdichtungsnut
Groove shape	1 side closed
Profile length	Cut length
Series	Series 8
Contour	Square
Delivery unit	Cuts
Execution	light
Size	40x40 mm
Colour	natural

More images

