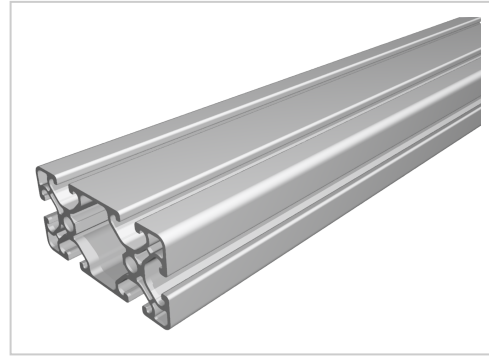


Profile 10 100x50 E, natural

Product number	PI-7040 SN6000
Weight	21.72kg
Length	6000mm



Product description

The profiles 10 E are suitable for weight-optimized assemblies of all kinds. Due to the different profile geometries, the material requirements can be adapted to the application. The grooves and the core holes of the profiles 10 E are designed for M10 screws.

Delivery length 6030 mm

Product properties

Material	Al Mg Si 0.5 F25, artificially aged
Anodised	E6EV1 10-15 µm silver
Tolerances	EN 12020-2
Compatible with	item
Nutauszugskraft	F=3.500 N
Breite Profil	100 mm
Höhe Profil	50 mm
Groove shape	Open grooves
Delivery unit	Rods
Size	50x100 mm
Profile length	6000 mm bar
Series	Series 10
Contour	Rectangular
Colour	natural
Execution	economy

More images

