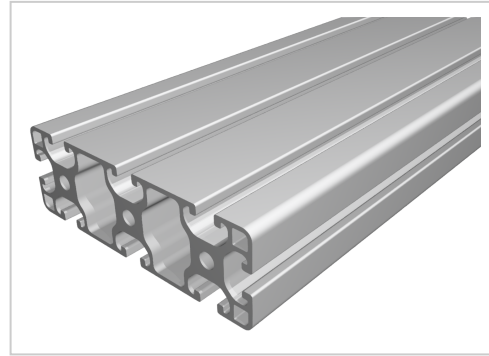


Profile 8 120x40 light, natural

Product number PI-1155 SN6000
Weight 26.304kg
Length 6000mm



Product description

Profiles 8 are suitable for assemblies of all kinds. Due to the different profile geometries, the material requirements can be adapted to the application. The grooves and the core holes of the profiles 8 are designed for M8 screws.

Delivery length 6030 mm

Product properties

Material Al Mg Si 0.5 F25, artificially aged
Anodised E6EV1 10-15 µm silver
Tolerances EN 12020-2
Nutauszugskraft F=2.500 N
Breite Profil 120 mm
Höhe Profil 40 mm
Groove shape Open grooves
Size 120x40 mm
Delivery unit Rods
Series Series 8
Profile length 6000 mm bar
Execution light
Contour Rectangular
Colour natural

More images

