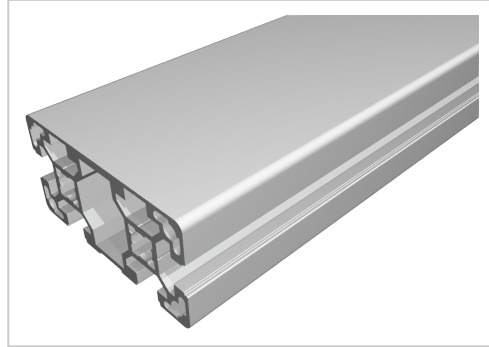


Profile 40x80 4N 270° light natural-10

Product number	PB-1115 SN6000
Weight	16.884kg
Length	6000mm



Product description

The profiles in pitch 40 with groove 10 are suitable for assemblies of all kinds. Due to the different profile geometries, the material requirements can be adapted to the application. The grooves are designed for M8 screws.
Delivery length 6030 mm

Compatible with Bosch 3 842 993 424

Product properties

Material	Al Mg Si 0.5 F25, artificially aged
Anodised	E6EV1 10-15 µm silver
Tolerances	EN 12020-2
Compatible with	Bosch
Nutauszugskraft	F=7.000 N
Breite Profil	80 mm
Höhe Profil	40 mm
Groove shape	1 side closed
Delivery unit	Rods
Profile length	6000 mm bar
Modular dimension	Modular dimension 40
Execution	light
Contour	Rectangular
Series	Series 40-10
Colour	natural
Size	80x40 mm

More images

