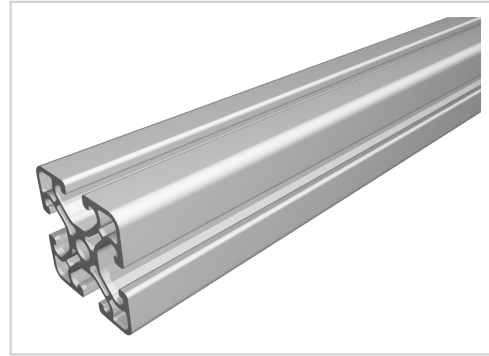


# Profile 10 50x50 E, natural

**Product number** PI-7020 SZ

**Weight** 2.295kg



## Product description

The profiles 10 E are suitable for weight-optimized assemblies of all kinds. Due to the different profile geometries, the material requirements can be adapted to the application. The grooves and the core holes of the profiles 10 E are designed for M10 screws.

Cut to size max. 6000 mm

## Product properties

<b>Material</b>	Al Mg Si 0.5 F25, artificially aged
<b>Anodised</b>	E6EV1 10-15 µm silver
<b>Tolerances</b>	EN 12020-2
<b>Compatible with</b>	item
<b>Nutauszugskraft</b>	F=3.500 N
<b>Breite Profil</b>	50 mm
<b>Höhe Profil</b>	50 mm
<b>Groove shape</b>	Open grooves
<b>Profile length</b>	Cut length
<b>Contour</b>	Square
<b>Delivery unit</b>	Cuts
<b>Series</b>	Series 10
<b>Colour</b>	natural
<b>Execution</b>	economy
<b>Size</b>	50x50 mm

More images

