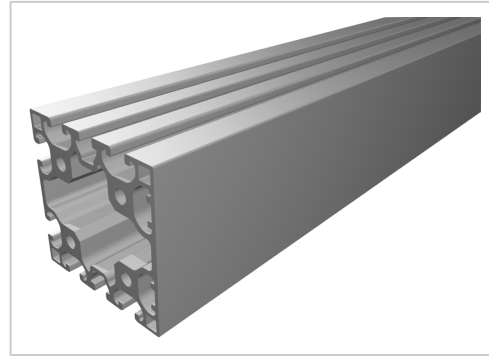


Profile 8 80x80, natural

Product number PI-6150 SN6000
Weight 32.46kg
Length 6000mm



Product description

Profiles 8 are suitable for a wide range of assemblies. The grooves and the core holes of the profiles 8 are designed for M8 screws.

Delivery length 6030 mm

Product properties

Material	Al Mg Si 0.5 F25, artificially aged
Anodised	E6EV1 10-15 µm silver
Tolerances	EN 12020-2
Nutauszugskraft	F=2.500 N
Breite Profil	80 mm
Höhe Profil	80 mm
Funktionsintegration	Türdichtungsnut
Execution	XMS, light
Groove shape	1 side closed
Delivery unit	Rods
Series	Series 8
Size	80x80 mm
Contour	Square
Profile length	6000 mm bar
Colour	natural

More images

