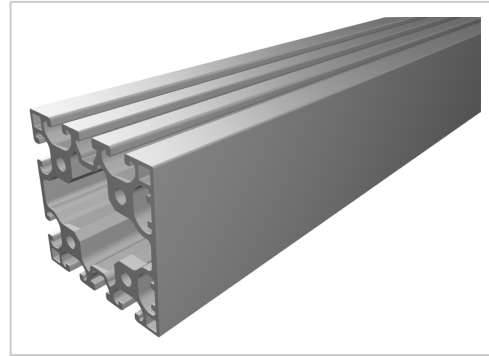


# Profile 8 80x80, natural

**Product number** PI-6150 SZ

**Weight** 7.142kg



## Product description

Profiles 8 are suitable for assemblies of all kinds. Due to the different profile geometries, the material requirements can be adapted to the application. The grooves and the core holes of the profiles 8 are designed for M8 screws.

Cut to size max. 6000 mm

## Product properties

|                             |                                     |
|-----------------------------|-------------------------------------|
| <b>Material</b>             | Al Mg Si 0.5 F25, artificially aged |
| <b>Anodised</b>             | E6EV1 10-15 µm silver               |
| <b>Tolerances</b>           | EN 12020-2                          |
| <b>Compatible with</b>      | item                                |
| <b>Nutauszugskraft</b>      | F=2.500 N                           |
| <b>Breite Profil</b>        | 80 mm                               |
| <b>Höhe Profil</b>          | 80 mm                               |
| <b>Funktionsintegration</b> | Türdichtungsnut                     |
| <b>Execution</b>            | XMS, light                          |
| <b>Groove shape</b>         | 1 side closed                       |
| <b>Profile length</b>       | Cut length                          |
| <b>Series</b>               | Series 8                            |
| <b>Size</b>                 | 80x80 mm                            |
| <b>Contour</b>              | Square                              |
| <b>Delivery unit</b>        | Cuts                                |
| <b>Colour</b>               | natural                             |

More images

