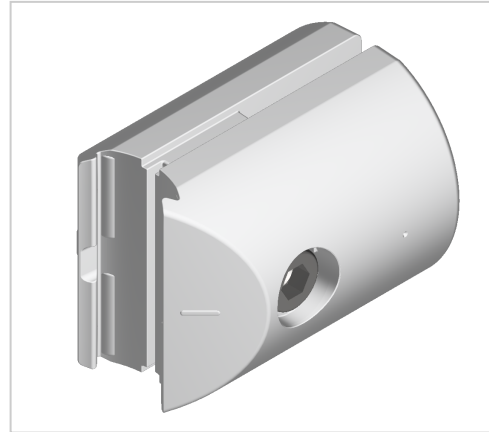


Fastener D30

Product number ZL-1917

Weight 0.105kg



Product description

For right-angled connection of two round tube profiles with outer diameter Ø 30

Product properties

Compatible with	item
Series	i- LPS Lean Production
Connector type	D-30 Connector
Colour	Alu natural
Material	GD-Al, natur
Lean system type	D30 Aluminium i kit system

More images

