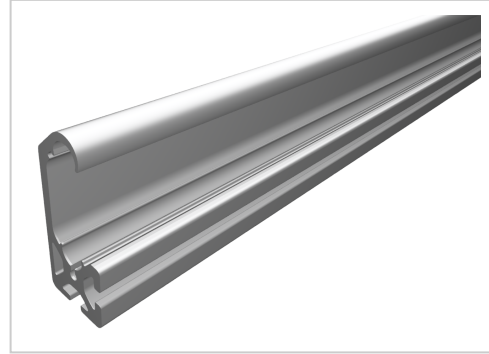


C-Rail, Rail Profilee 8, natural

Product number PI-1470 SZ

Weight 3.1kg



Product description

C-Rail Rail Profile serves as a guide profile for the assembly of C-Rail Units-8
Cut to size max. 6000 mm

Product properties

Compatible with	item
Part type	C-rail systems
Nutauszugskraft	F=5.000 N
Profile length	Cut length
Series	Series 8
Delivery unit	Cuts
Contour	Rectangular
Diameter mm	Ø 14
Colour	natural

More images

