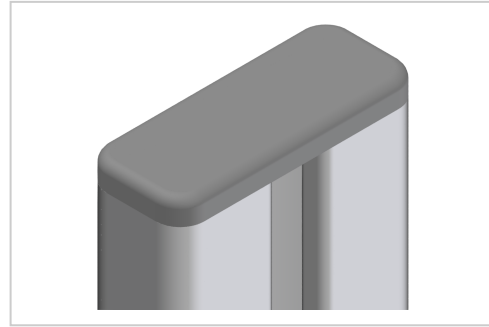


## Cap 8 40x16, grey | grey

<b>Product number</b>	AI-1010-G
<b>Weight</b>	0.002kg
<b>Length</b>	16mm
<b>Width</b>	40mm
<b>Height</b>	4mm



### Product description

0.0.026.79

### Product properties

<b>Compatible with</b>	item
<b>Series</b>	Series 8
<b>Material</b>	PA-GF
<b>Size</b>	40x16 mm
<b>Part type</b>	Caps for profiles

## More images

