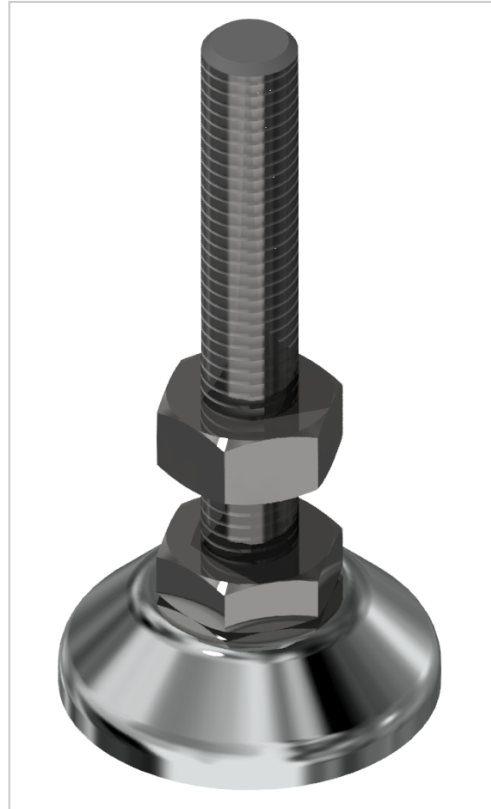


# Knuckle Foot D40, M10x80, stainless

**Product number** ZI-1456

**Weight** 0.107kg



## Product description

Adjustable feet are used for stepless height and level adjustment of assemblies and racks of any kind. The inclination of the plate is variable. A rubber insert can be fitted as an option.

## Product properties

<b>Compatible with</b>	item
<b>Base for swivel feet Ø</b>	40 mm
<b>Total height</b>	80 mm
<b>Series</b>	Series 8
<b>Material</b>	Stainless steel
<b>Load capacity</b>	1000 kg
<b>Thread</b>	M10
<b>Adjustable foot type</b>	Stainless steel

More images

