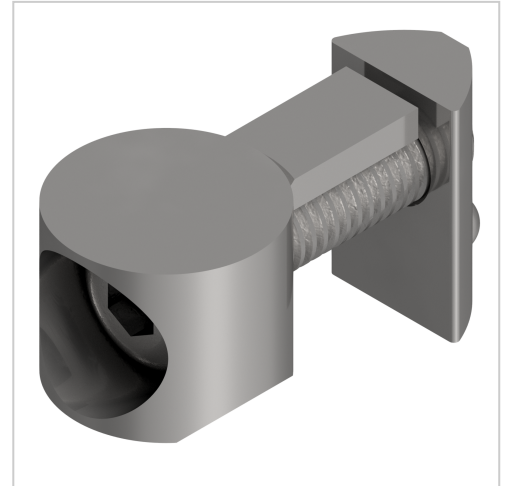


Universal-Fastening Set 8, bright zinc-plated

Product number VI-1015

Weight 0.038kg



Product description

Universal and force-fitting connection of all profiles in a series Can be subsequently slid in the groove. Can be retrofitted into an existing construction. Machining only on one profile

Product properties

Linear sliding	yes
Axially rotatable	no
Angle freely selectable	no
Profile processing	1x stepped bore
Displacement force	very good
Torsional moment	very good
Bending moment	very good
Can be retrofitted to existing construction	yes
Compatible with	item
Part type	Connector
Material	GD-Zn
Series	Series 8
suitable connector	suitable connector 8
Colour	galvanized
Connector type	Universal fasteners

More images

