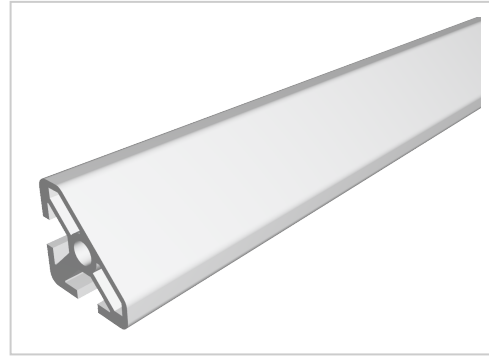


Profile 5 20x20 45°, natural

Product number PI-4120 SZ

Weight 0.383kg



Product description

The compact design of Profiles 5 makes them particularly suitable for small and weight-optimised assemblies. The grooves and core holes of Profiles 5 are designed for M5 screws.

Cut to size max. 6000 mm

Product properties

Material	Al Mg Si 0.5 F25, artificially aged
Anodised	E6EV1 10-15 µm silver
Tolerances	EN 12020-2
Nutauszugskraft	F=500 N
Profile length	Cut length
Delivery unit	Cuts
Groove shape	Angle bracket profile
Series	Series 5
Size	20x20 mm
Colour	natural
Contour	Triangular
Execution	heavy

More images

