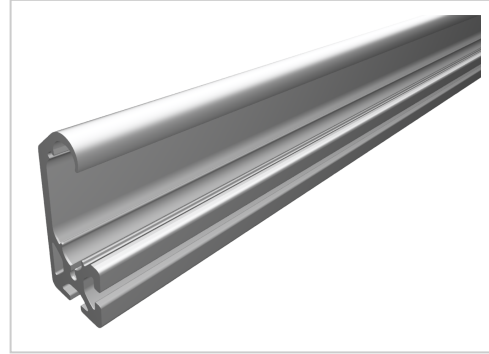


C-Rail, Rail Profile 8, natural

Product number PI-1470 SN6000
Weight 18.6kg
Length 6000mm



Product description

C-Rail Rail Profile serves as a guide profile for the assembly of C-Rail Units-8

Product properties

Material Al Mg Si 0.5 F25, artificially aged
Anodised E6EV1 10-15 µm silver
Tolerances EN 12020-2
Part type C-rail systems
Nutauszugskraft F=5.000 N
Delivery unit Rods
Series Series 8
Profile length 6000 mm bar
Diameter mm Ø 14
Colour natural

More images

